

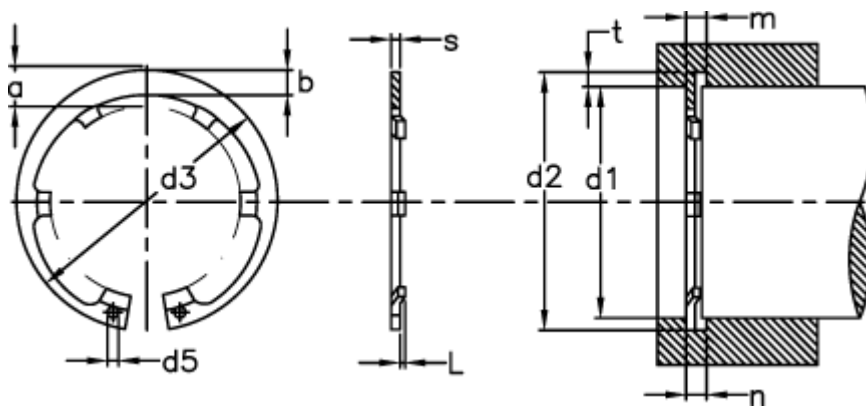
Data Sheet



Article number: 0121083

Description: Retaining ring JL 72X2,5
Spring steel

Measures



a max	= 10.2	FL max kN	= 2.27	s	= 2.50
b	= 6.4	FN kN	= 58.0	tol	= 0.30
C kN/mm	= 3.01	FRg kN	= 21.00	tol	= +1,10 -0,46
d1	= 72	FR kN	= 119.20	u	= 0.15
d2	= 75.0	g	= 2.5		
d3	= 76.5	L min	= 0.90		
d5 min	= 3.0	m min	= 2.65		
Description	= AL 72	Nominal drive	= 4.5		